

1. General Description

The RDA1846 is a highly integrated single-chip transceiver for Walkie Talkie applications. It totally realizes the translation from RF carrier to voice in the RX path and from voice to RF carrier in the TX path, requiring only one micro controller.

The RDA1846 has a powerful digital signal processor, which makes it have optimum voice quality, flexible function options, and robust performance under varying reception conditions.

The RDA1846 can be tuned to the worldwide frequency band for Walkie Talkie from 400MHz to 500MHz and especially from 134MHz to 174MHz which meets the frequency band of weather broadcast.

The transceiver uses the CMOS process with a package size of 5X5mm. By virtue of its high integration, it requires the least external components and eliminates the complicated design of sensitive RF circuits on PCB.

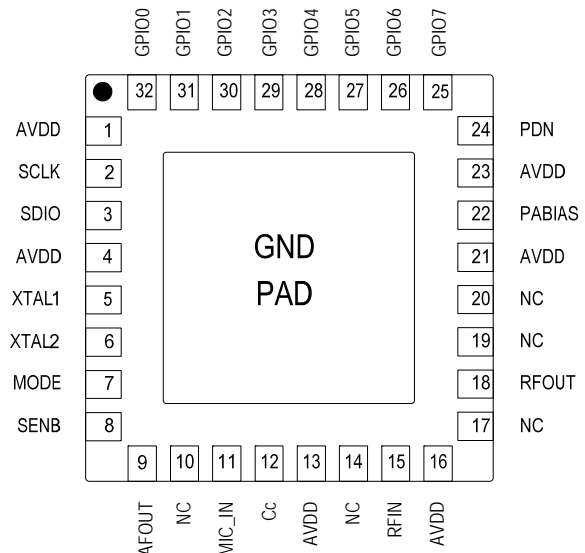


Figure 1.1 RDA1846 Top View

1.1 Features

- CMOS single-chip fully-integrated transceiver
- Fully integrated frequency synthesizer and VCO
- Support worldwide frequency band
 - 134MHz ~ 174MHz
 - 400MHz ~ 500MHz
- 12.5KHz, 25KHz channels
- Support multiple XTAL clocks
 - 12.8/25.6Mhz
 - 13/26Mhz
- Digital auto frequency control (AFC)
- Digital auto gain control (AGC)
- Selectable pre/de-emphasis
- Received signal strength indicator (RSSI)
- VOX and SQ
- Build-in CTCSS/CDCSS generator and judgment
 - CTCSS with 120/180 /240 degree phase shift
 - 23/24 bit programmable DCS code
- DTMF and programmable in-band dual tone
- Programmable in-band single tone transmitter
- Auto RX/TX/SLEEP state switching
- 8 GPIOs
- 3-wire/4-wire/I²C serial control bus interface
- On chip 8 dBm PA
- Analog and digital volume control
- Directly support 32Ω resistance loading
- 3.3 to 4.8 V supply voltage with Integrated LDO
- 5X5 mm 32 pin QFN package

1.2 Applications

- Cellular handsets
- Family radio services
- Walkie Talkies

2. Table of Contents

1.	General Description	1
1.1	Features	1
1.2	Applications	1
2.	Table of Contents.....	2
3.	Functional Description.....	3
3.1	RF input and output	3
3.2	Voice input and output.....	4
3.3	Synthesizer	4
3.4	XTAL Clock	4
3.5	DSP functions.....	4
3.6	Integrated LDO	4
3.7	Serial Control Interface	4
4.	Electrical Characteristics	5
5.	Receiver/Transmitter Characteristics	6
6.	Control Interface Characteristics	7
7.	Pins Description.....	8
8.	Application Diagram.....	11
9.	Package Outline.....	12
10.	Solder Mounting Condition.....	13
11.	Change List.....	16
12.	Contact Information	16

3. Functional Description

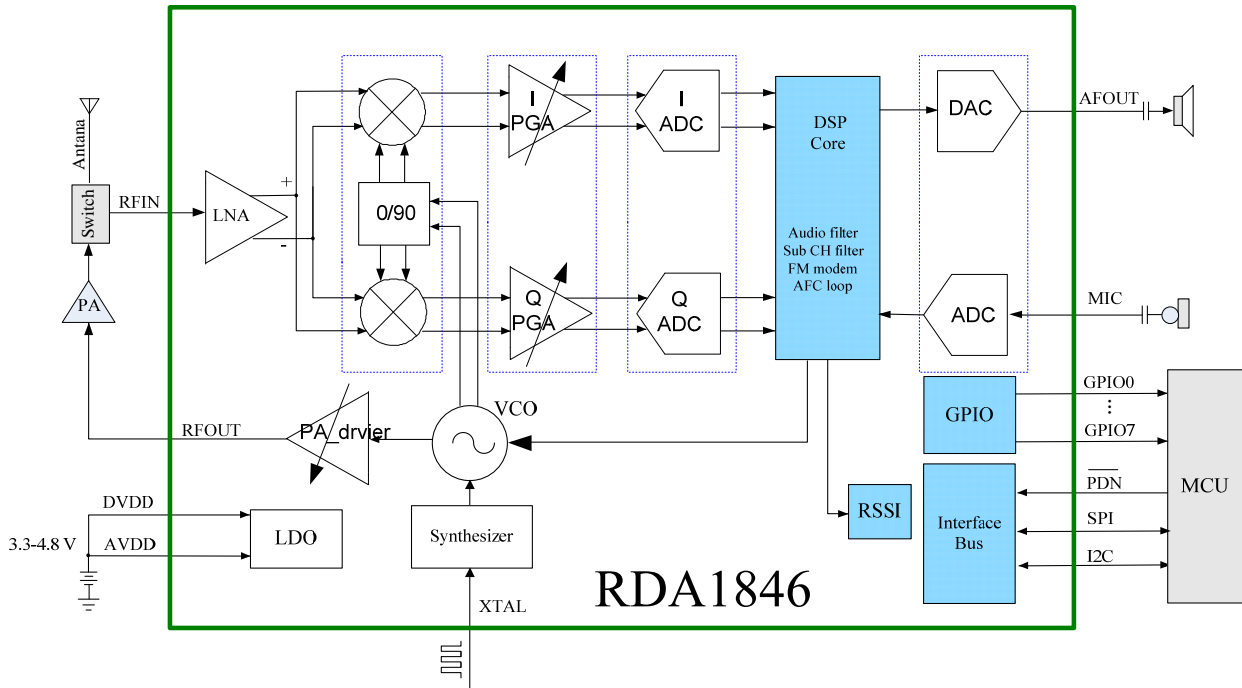


Figure 3.1 RDA1846 Block Diagram

The RDA1846 transceiver features very low solution cost and reduced complexity. As shown in Fig.3.1, to totally complete the translation from RF carrier to voice in the RX path and from voice to RF carrier in the TX path, the chip integrates nearly all the functional blocks including RF and base band analog blocks and digital signal processor. It requires only one micro controller and a few external components to realize a walkie-talkie.

A powerful integrated DSP accomplishes both the demodulation and modulation of the FM signal. Besides, standard walkie-talkie features such as CTS, CDS, VOX and SQ etc. are provided through the 8 GPIOs of the chip. Especially, by virtue of the state-of-the-art CMOS technology advanced algorithms such as AFC, AGC, RSSI and SNR calculations are realized in the DSP, which guarantees the high receiving and transmitting quality while still consumes a low power. Flexible RX/TX/SLEEP auto switching function from the DSP further reduces the average power consumptions.

LDOs are also integrated in the chip which further reduces the BOMs.

All interface pins of the chip will be shortly explained below. For details, refer to the 'RDA 1846 programming guide'.

3.1 RF input and output

The chip can receive and transmit RF signals from 400 to 500MHz and from 134 to 174MHz which cover most of the walkie-talkie frequency bands around the world and the weather broadcast band. For the RF input, a direct-in connection from the antenna to the LNA input pin through a switch is suggested which means no input impedance matching is needed for the receive band. For the RF out, a pa diver can deliver no more than 8 dBm power to PA. PA bias voltage from 1.5V~2.8V for the power amplifier can be supplied from the PABIAS pin.

3.2 Voice input and output

In the RX path, the voice signal after demodulation is sent to the internal DAC which can directly drive a 32Ω resistance loading through AC coupling. In the TX path, microphone signal can be sent into the chip through AC coupling capacitors.

3.3 Synthesizer

The frequency synthesizer generates the local oscillator signal. All building blocks are fully integrated without any external components. LO frequency can be programmed through the serial interface by the MCU. *(How to select frequency band and program LO frequency, refer to the programming guide)*

3.4 XTAL Clock

The RDA1846 supports XTAL clocks such as 12.8 MHz, 13 MHz, 25.6 MHz and 26 MHz. The internal XTAL oscillator can also be bypassed thus TCXO clock with appropriate amplitude can be sent into the chip directly. *(How to configure the internal XTAL oscillator, refer to the programming guide)*

3.5 DSP functions

The DSP accomplishes the demodulation and modulation of the FM signal. Standard walkie-talkie features such as CTS, CDS, VOX and SQ etc. are provided through the 8 GPIOs. *(How to configure the GPIOs, refer to the programming guide)*

3.6 Integrated LDO

LDOs are integrated on chip which eliminates using one LDO chip on the PCB. Supply voltage for the chip is suggested to be within 3.3V~4.8V. A common share of the supply voltage for RDA1846 and other chips or on board circuits are not appropriate and thus not recommended.

3.7 Serial Control Interface

A 3-wire/4-wire/I²C serial interface is provided for host IC to read and write RDA1846 control registers. *(For details of the serial control interface, refer to the programming guide).*

4. Electrical Characteristics

Table 4-1 DC Electrical Specification (Recommended Operation Conditions):

SYMBOL	DESCRIPTION	MIN	TYP	MAX	UNIT
AVDD	Supply Voltage from battery or LDO	3.3	3.3	4.8	V
T _{amb}	Ambient Temperature	-25	27	+85	°C
V _L	CMOS Low Level Input/output Voltage	0		0.3	V
V _H	CMOS High Level Input/output Voltage	2.7		3	V
V _{TH}	CMOS Threshold Voltage		1.5		V

Table 4-2 DC Electrical Specification (Absolute Maximum Ratings):

SYMBOL	DESCRIPTION	MIN	TYP	MAX	UNIT
T _{amb}	Ambient Temperature	-40		+90	°C
I _{IN}	Input Current	-10		+10	mA
V _{IN}	Input Voltage	-0.3		3.3	V
V _{Ina}	LNA Input Level			+10	dBm

Table 4-3 Power consumption specification

(AVDD = 3.3 V, T_A = -25 to 85°C, unless otherwise specified)

STATE	DESCRIPTION	Condition	TYP	UNIT
I _{Rx}	Continue Receive	RXON=1,PDN=1	55	mA
I _{Tx}	Continue Transmit	TXON=1,PDN=1	50	mA
I _{sleep}	Deep sleep	PDN=0	40	μA

5. Receiver/Transmitter Characteristics

Table 5-1 Receiver Characteristics

(AVDD = 3.3 V, TA = -25 to 85 °C, unless otherwise specified)

SYMBOL	PARAMETER	CONDITIONS	MIN	TYP	MAX	UNIT
General specifications						
Fin	Input Frequency Range1		400		520	MHz
	Input Frequency Range2		134		174	MHz
	Input Frequency Range3		200		260	MHz
NF	Noise Figure	Max RX Gain		3		dB
IP3_{in}	Input IP3	Max RX Gain	-10	-6	0	dBm
SEN	Sensitivity	12.5kHz channel, 12dB SINAD	-125	-124	-123	dBm
ACS	Adjacent Channel Selectivity	± 12.5KHz	65	66	67	dB
IR	Image rejection		60	70		dB
	Blocker	> 1MHz		85		dB
	Voice distortion			1.5		%

Table 5-2 Transmit Characteristics

(AVDD = 3.3 V, TA = -25 to 85°C, unless otherwise specified)

SYMBOL	PARAMETER	CONDITIONS	MIN	TYP	MAX	UNIT
General specifications						
Fout	Output Frequency Range1		400		520	MHz
	Output Frequency Range2		134		174	MHz
	Output Frequency Range3		200		260	MHz
POUT	Output Power		-2	5	8	dBm
SINAD/SNR				48/53		dB
ACP	Adjacent channel power			-67		dBc
	Modulation sensitivity	1.5kHz frequency offset		13		mV
	Voice distortion			0.5		%
	Modulation limitation			2.2	2.5	kHz

6. Control Interface Characteristics

Refer to the 'RDA1846 programming guide'.

7. Pins Description

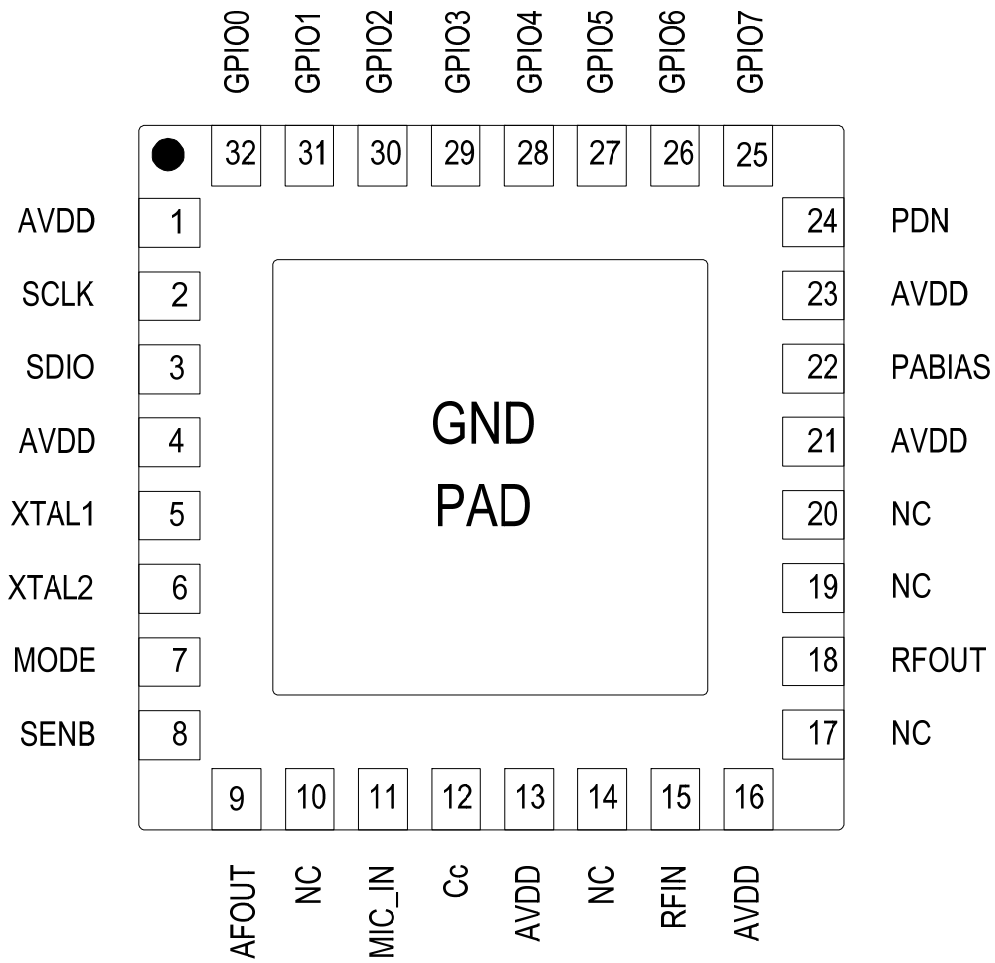


Figure 7.1 RDA1846 Top View

Table 7-1 RDA1846 Pins Description

SYMBOL	PIN	DESCRIPTION
AVDD	1	Power supply
SCLK	2	Clock input for serial control bus
SDIO	3	Data input/output for serial control bus
AVDD	4	Power supply
XTAL1	5	Oscillator pin 1
XTAL2	6	Oscillator pin 2
MODE	7	Control Interface select When MODE = V _L , I ² C Interface is select When MODE = V _H , SPI Interface is select
SENB	8	Latch enable (active low) input for serial control bus
AFOUT	9	Audio signal output to speaker
NC*	10	No connection
MIC_IN	11	MIC input
Cc	12	Compensation capacitor connection pin
AVDD	13	Power supply
NC*	14	No connection
RFIN	15	RF signal input
AVDD	16	Power supply
NC*	17	No connection
RFOUT	18	RF signal output
NC*	19	No connection
NC*	20	No connection
AVDD	21	Power supply
PABIAS	22	PA bias supply for PA
AVDD	23	Power supply
PDN	24	Chip enable, low active
GPIO7	25	Gpio7 / vox (When Gpio7=V _H , vox is active; else V _L)
GPIO6	26	Gpio6 / sq (When Gpio6=V _H , sq is active; else V _L)
GPIO5	27	Gpio5 / txon (When Gpio5=V _H , txon is active; else V _L)
GPIO4	28	Gpio4 / rxon (When Gpio4=V _H , rxon is active; else V _L)
GPIO3	29	Gpio3 / sdo (Gpio3=V _H or V _L , it is the output register data in 4 wire control interface mode)
GPIO2	30	Gpio2 / int (When Gpio2=V _H , int is active; else V _L)

GPIO1	31	Gpio1 / code_in / code_out (Gpio1= V_H or V_L , it is the input/output code data)
GPIO0	32	Gpio0 / css_in / css_out (Gpio0= V_H or V_L , it is the input/output CTCSS/CDCSS signal)

***Attention: all NC pins should be floating. Do not connect it to GND!**

8. Application Diagram

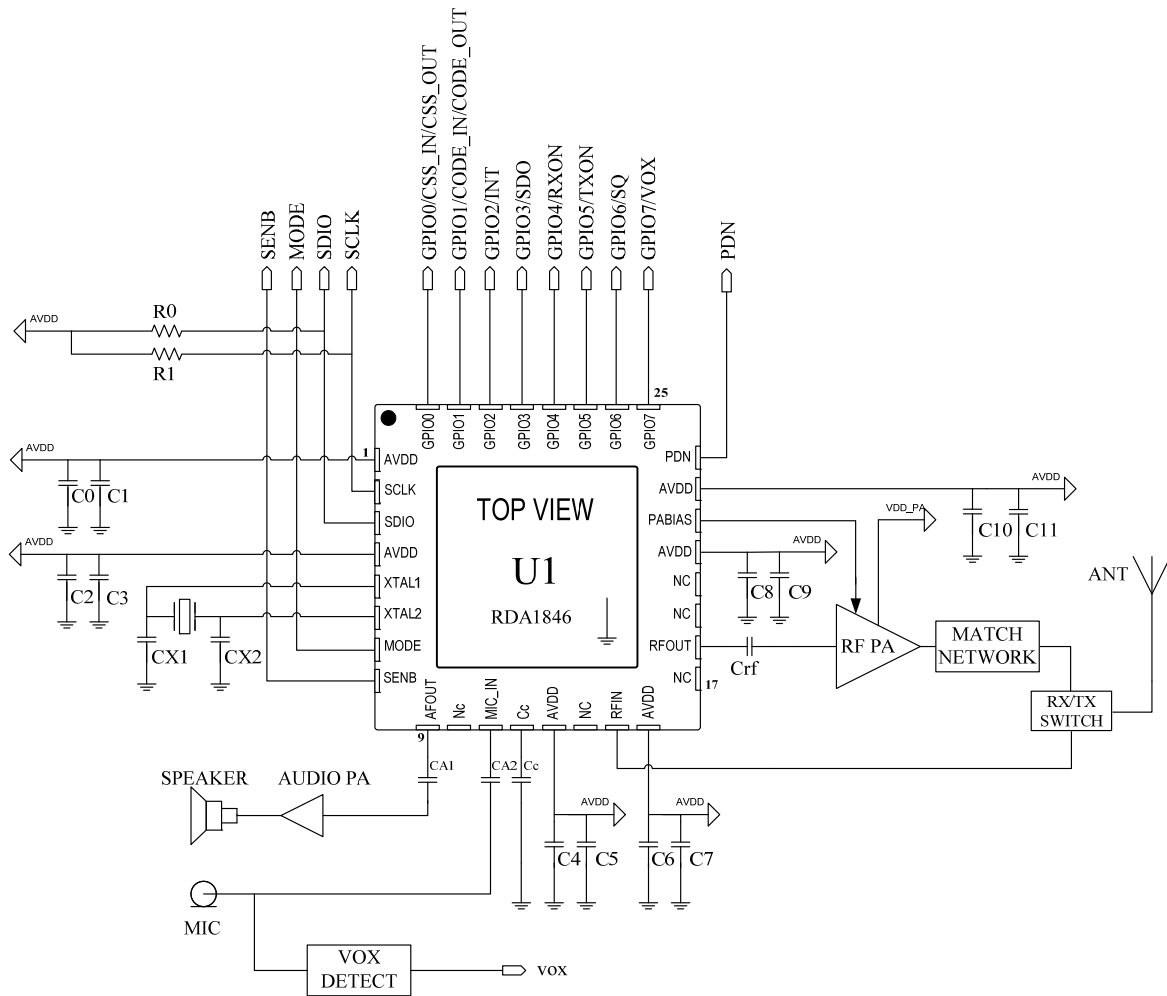
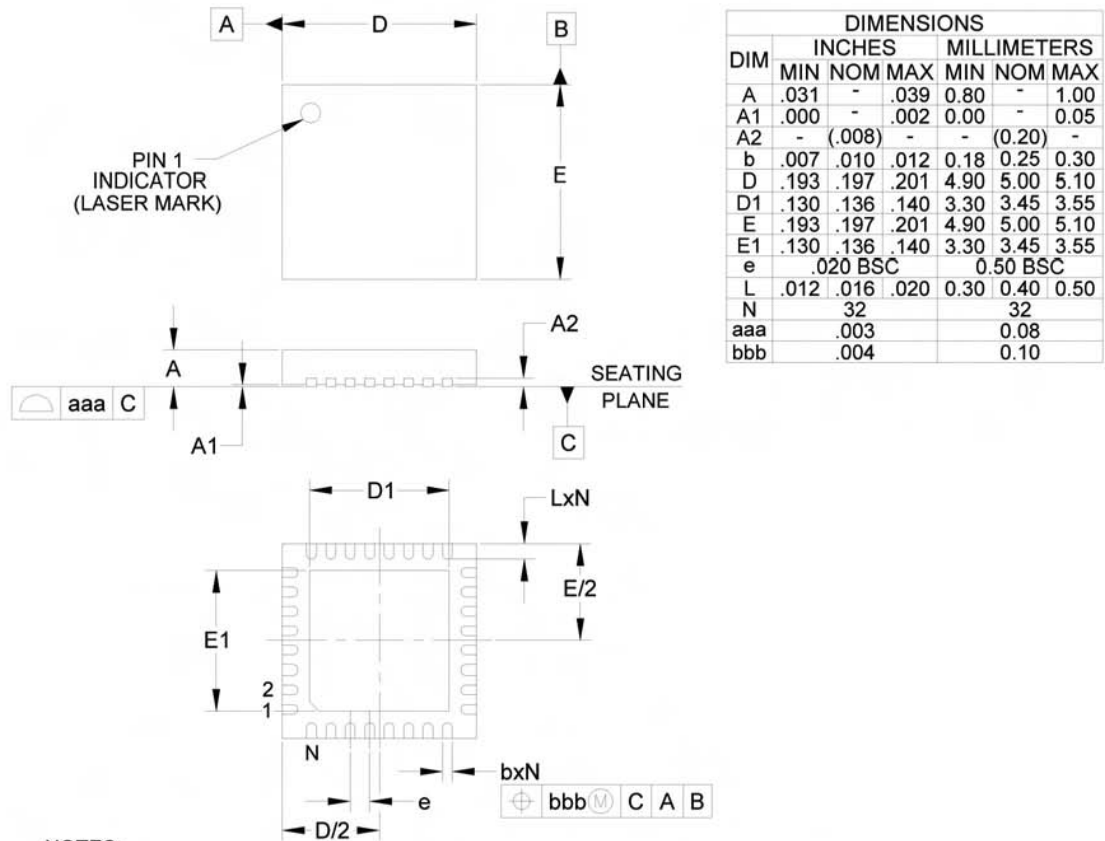


Figure 8.1 RDA1846 Application Diagram

Notes:

- 1 U1: RDA1846 Chip;
- 2 AVDD: Power Supply for RDA1846 (3.3~4.8V);
- 3 AVDD_PA: Power Supply for RF PA, its voltage depends on the actual PA design;
- 4 C0~C11: AVDD decouple capacitance (1nF and 100nF in pairs), as close to AVDD pin as possible;
- 5 CA1~CA2: Audio AC couple capacitance (~47uF);
- 6 Cc: Compensation capacitance connected between pin Cc and GND (~47uF);
- 7 Crf: RF AC couple capacitance (~150pF);
- 8 CX1~CX2: XTAL oscillator load capacitance. Its value depends on the chosen XTAL (if using external TCXO, clk should be sent into pin XTAL1 with Vpp about 1.5V, and pin XTAL2 should be connected to GND);
- 9 R0~R1(optional): resistors for serial interface wire SDIO and SCLK (~10kΩ);
- 10 Pins NC(10,14,17,19,20) should be floating;
- 11 External vox detection circuit is optional;

9. Package Outline

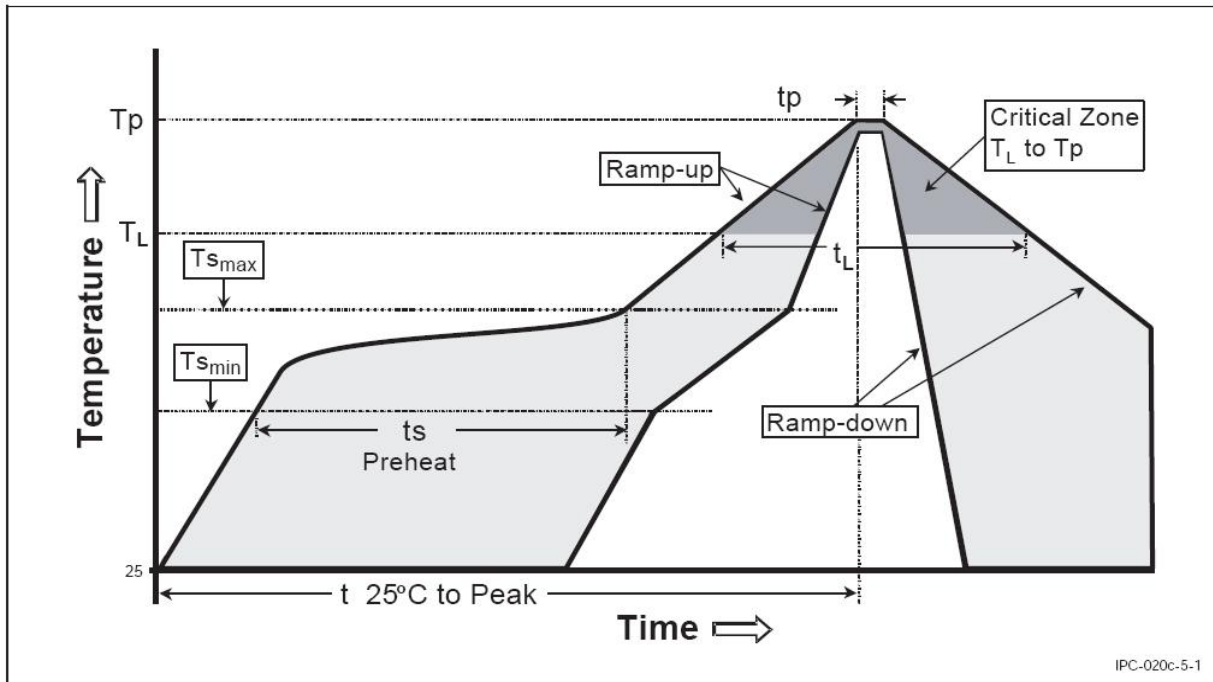


NOTES:

1. CONTROLLING DIMENSIONS ARE IN MILLIMETERS (ANGLES IN DEGREES).
2. COPLANARITY APPLIES TO THE EXPOSED PAD AS WELL AS THE TERMINALS.

32-Pin 5x5 Quad Flat No-Lead (QFN)

10. Solder Mounting Condition



Classification Reflow Profile

Table 10-1 Classification Reflow Profiles

Profile Feature	Sn-Pb Eutectic Assembly	Pb-Free Assembly
Average Ramp-Up Rate (T _{smax} to T _p)	3 °C/second max.	3 °C/second max.
Preheat -Temperature Min (T _{smin}) -Temperature Max (T _{smax}) -Time (t _{smin} to t _{smax})	100 °C 100 °C 60-120 seconds	150 °C 200 °C 60-180 seconds
Time maintained above: -Temperature (T _L) -Time (t _L)	183 °C 60-150seconds	217°C 60-150 seconds
Peak /Classification Temperature(T _p)	See Table-II	See Table-III
Time within 5 °C of actual Peak Temperature (t _p)	10-30 seconds	20-40 seconds
Ramp-Down Rate	6 °C/second max.	6 °C/seconds max.
Time 25 °C to Peak Temperature	6 minutes max.	8 minutes max.

Table 10-2 SnPb Eutectic Process – Package Peak Reflow Temperatures

Package Thickness	Volume mm ³	Volume mm ³
	<350	≥350
<2.5mm	240 + 0/-5 °C	225 + 0/-5 °C
≥2.5mm	225 + 0/-5 °C	225 + 0/-5 °C

Table 10-3 Pb-free Process – Package Classification Reflow Temperatures

Package Thickness	Volume mm ³	Volume mm ³	Volume mm ³
	<350	350-2000	>2000
<1.6mm	260 + 0 °C *	260 + 0 °C *	260 + 0 °C *
1.6mm – 2.5mm	260 + 0 °C *	250 + 0 °C *	245 + 0 °C *
≥2.5mm	250 + 0 °C *	245 + 0 °C *	245 + 0 °C *

*Tolerance : The device manufacturer/supplier **shall** assure process compatibility up to and including the stated classification temperature(this mean Peak reflow temperature + 0 °C. For example 260+ 0 °C) at the rated MSL Level.

Note 1: All temperature refer topside of the package. Measured on the package body surface.

Note 2: The profiling tolerance is + 0 °C, - X °C (based on machine variation capability)whatever is required to control the profile process but at no time will it exceed - 5 °C. The producer assures process compatibility at the peak reflow profile temperatures defined in Table –III.

Note 3: Package volume excludes external terminals(balls, bumps, lands, leads) and/or non integral heat sinks.

Note 4: The maximum component temperature reached during reflow depends on package the thickness and volume. The use of convection reflow processes reduces the thermal gradients between packages. However, thermal gradients due to differences in thermal mass of SMD package may sill exist.

Note 5: Components intended for use in a “lead-free” assembly process **shall** be evaluated using the “lead free” classification temperatures and profiles defined in Table-I II III whether or not lead free.

RoHS Compliant

The product does not contain lead, mercury, cadmium, hexavalent chromium, polybrominated biphenyls (PBB) or polybrominated diphenyl ethers (PBDE), and are therefore considered RoHS compliant.

ESD Sensitivity

Integrated circuits are ESD sensitive and can be damaged by static electricity. Proper ESD techniques should be used when handling these devices.

11. Change List

REV	DATE	AUTHER	CHANGE DESCRIPTION
v1.0e	2009-06-24	Hao Shi	Original draft.
v1.1e	2009-10-10	Ge Liu	V1.1 original draft
v1.2e	2009-12-11	Ge Liu	Add 200M~260MHz

12. Contact Information

RDA Microelectronics (Shanghai), Inc.

Suite 1108 Block A, e-Wing Center, 113 Zhichun Road Haidian District, Beijing

Tel: 86-10-62635360

Fax: 86-10-82612663

Postal Code: 100086